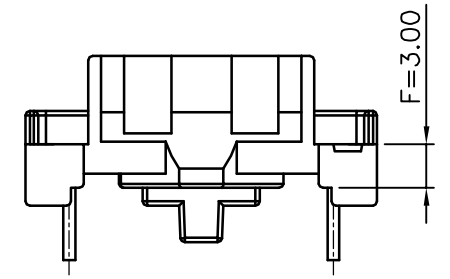
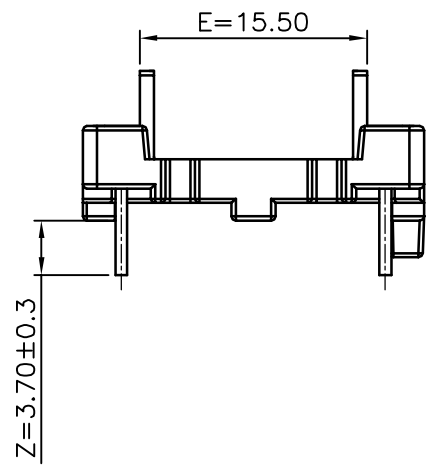
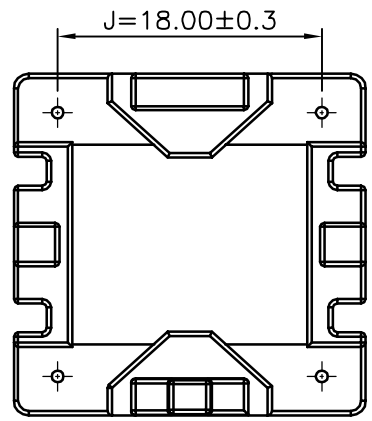
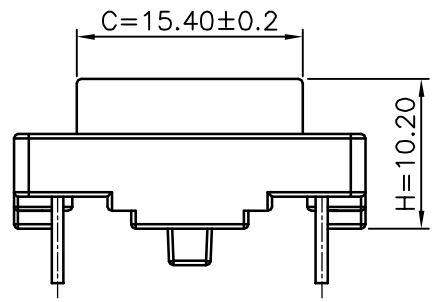


SECTION A-A



SECTION B-B

▲								
▲								
▲								
▲								
MARK	REVISION NOTE				DATE	DRAWN	CHECKED	APPROVED
DRAWN	CHECKED	APPROVED	MATERIAL : PHENOL(PF2736)	UL REC. : UL94V-0	THIRD ANGLE PROJ.	SCALE : 2/1		
KM, Seo	SH, Kim	C, Park	Z : PIN LENGTH (According to customer's request)	DATE : 2013.05.14	TOLERANCE : ±0.2 (Unless otherwise specified)	UNIT : m/m		
주식회사 대흥보빈 DAE HEUNG BOBBIN CO., LTD			TITLE	DWG NO				
			SQE 20*20 BASE H (4P)(S)	DH-130614-4008-13				